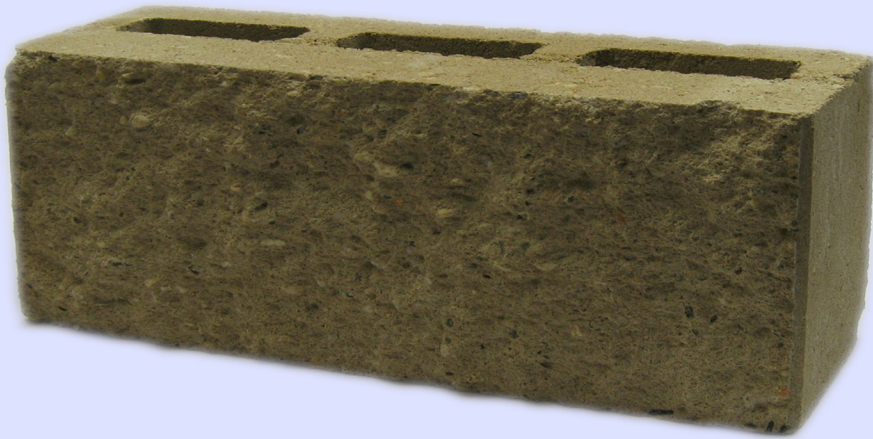
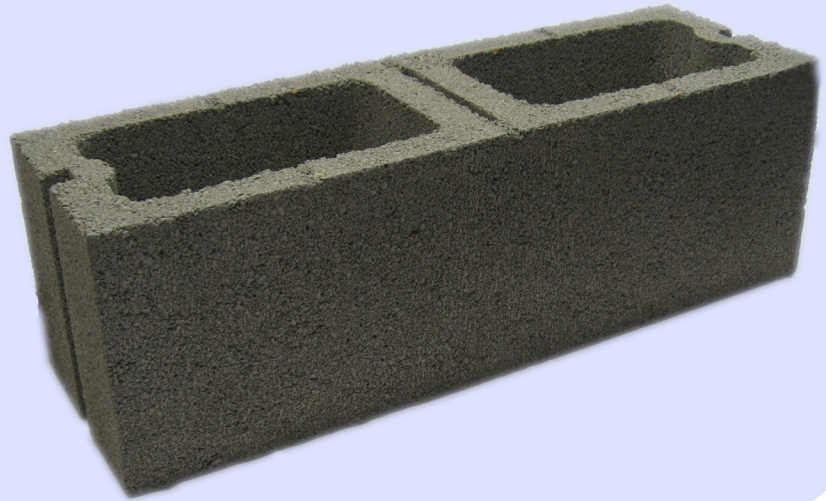


BARRASSO & SONS, INC.

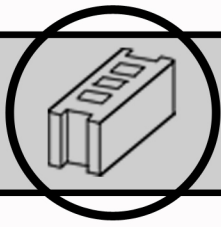
Mason and Building Supplies

24 Inch
Lightweight Block

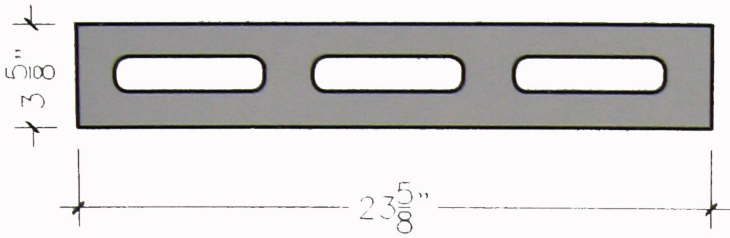


- INCREASED SPEED OF CONSTRUCTION , RESULTING IN REDUCED IN THE WALL COSTS • SUPER LIGHTWEIGHT • COMPLIES WITH ASTM C-90 FOR STRENGTH, ABSORPTION, MOISTURE CONTENT AND SHRINKAGE • AVAILABLE IN 4" SPLIT FACE • 4", 6", AND 8" STANDARD UNITS • LEED AND INSULATED UNITS AVAILABLE • NOMINAL FACE DIMENSION 8" X 24" • 1.33 SQUARE FOOT PER UNIT • FOR PRICE AND DETAILED INFORMATION, CONTACT OUR SALES OFFICE.

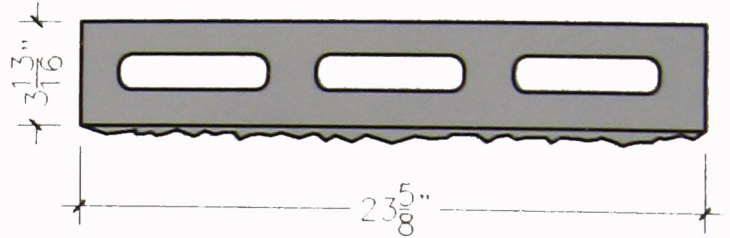
BARRASSO AND SONS, INC
160 FLORAL PARK ST, ISLIP TERRACE, N.Y. 11752
TEL: (631) 581-0360 FAX: (631) 581-0902
WWW.BARRASSOANDSONS.COM



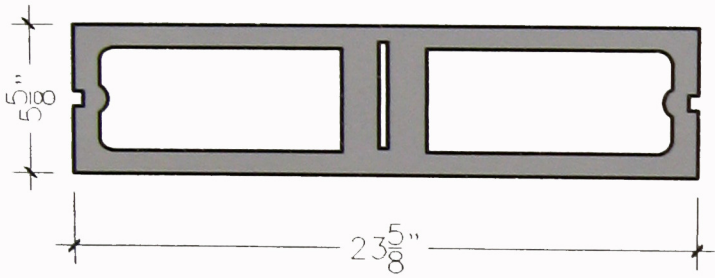
24 Inch Lightweight Block



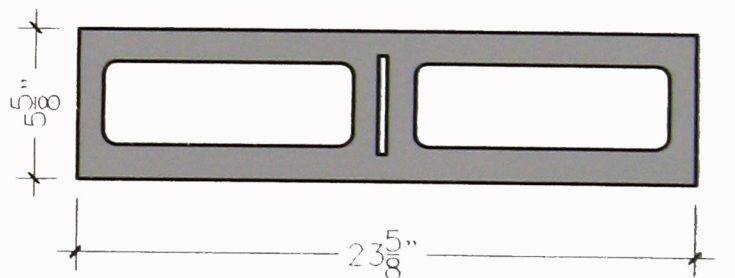
4" X 8" X 24" STANDARD



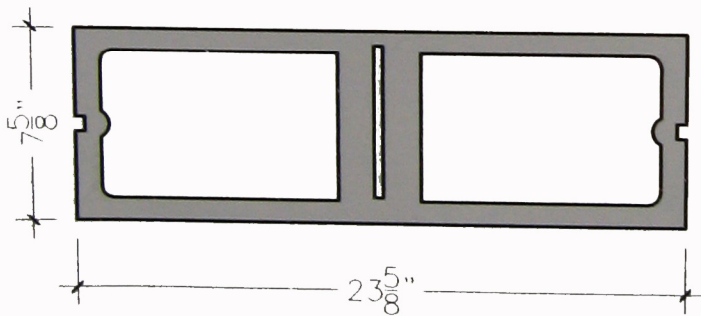
4" X 8" X 24" SPLIT FACE



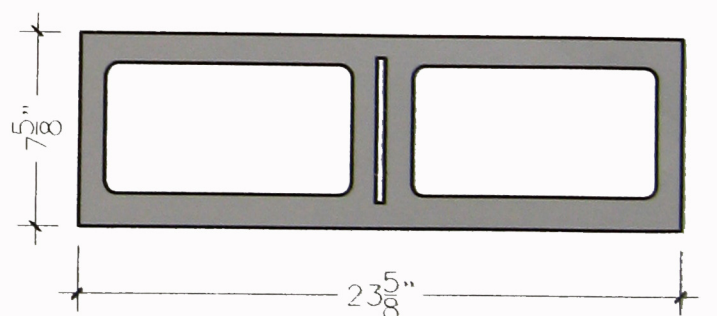
6" X 8" X 24" STANDARD



6" X 8" X 24" STANDARD



8" X 8" X 24" STANDARD



8" X 8" X 24" STANDARD

BARRASSO AND SONS, INC
160 FLORAL PARK ST, ISLIP TERRACE, N.Y. 11752
TEL: (631) 581-0360 FAX: (631) 581-0902
WWW.BARRASSOANDSONS.COM